

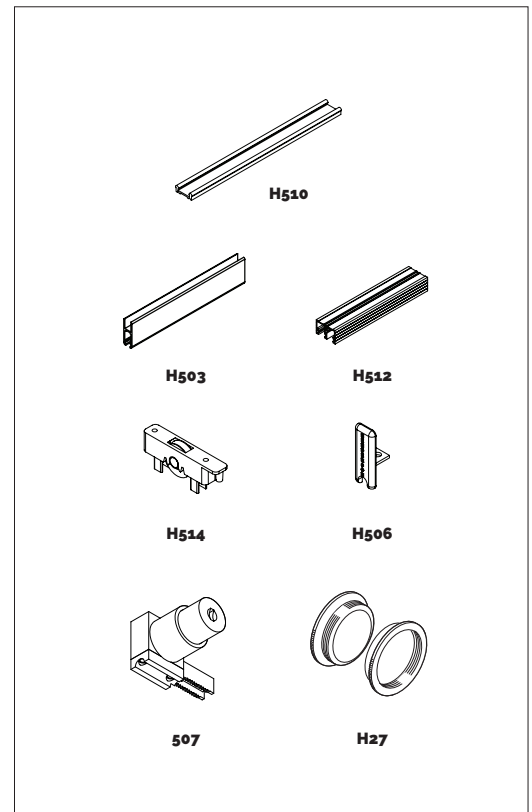
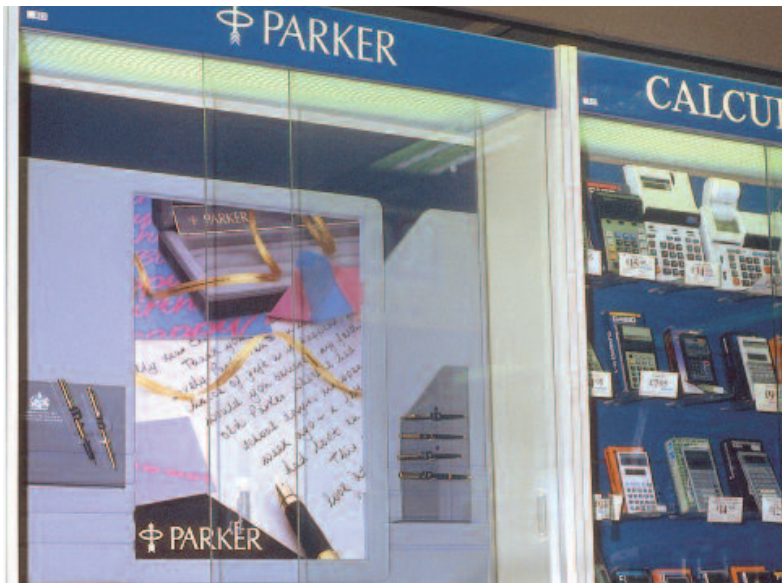
## ZENITH

## HENDERSON

## For bottom rolling glass sliding doors. Max 25kg each leaf.

### APPLICATION

- Suitable for interior sliding frameless glass or panels of mirror, plastic veneered timber.
- For showcases bathroom cabinets, product display cabinets, hatches and reception counter windows
- Double run system to suit bi passing panels with bottom rollers with jump proof design
- Manufactured using satin anodised aluminium with brush pile strips
- Silent and easy glide motion
- Panels can be secured by a specially designed cylinder lock



HARDWARE SPECIFICATION		
<b>Rail</b>	H510/3600	Anodised aluminium bottom rail double run 3600mm lengths
<b>Glass Rail</b>	H503/3600	Anodised aluminium glazing rail 3600mm lengths
<b>Channel</b>	H512/3000	Anodised aluminium top channel double headed guide with brush pile 3600mm lengths
<b>Bottom Roller</b>	H514/N	Bottom roller with nylon tyre and precision bearing
<b>End Cap</b>	H506	Black plastic end caps
<b>Glazing Strip</b>	H509	Black glazing rubber
<b>Accessories</b>		
<b>Finger Pull</b>	H27	Plastic chrome finish designed to fit into a 22mm diameter hole in the panel
<b>Cylinder Lock</b>	H507	Cylinder lock

### DOOR SPECIFICATION

Track System	Zenith
For Individual Door Leaves:	
Max Panel Weight	25kg
Max Panel Width	916mm
Panel Thickness	6mm
Max Panel Height	1800mm

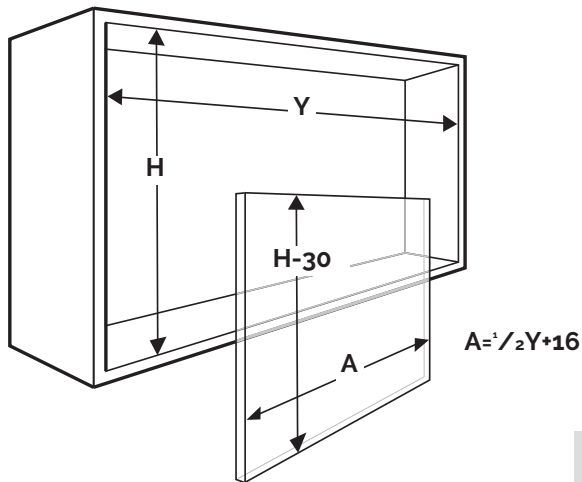
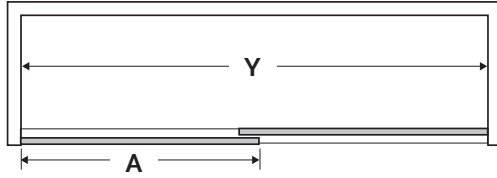
### STANDARD SETS AND PACK

Set comprises of 1 bottom rail, 1 glass rail, 1 top channel including brush pile, 4 bottom rollers and 4 end caps and glazing rubber

Set No.	Opening width	Track Length	Hardware for
HZ12	1200mm	1200mm	2 doors
HZ15	1500mm	1500mm	2 doors
HZ18	1800mm	1800mm	2 door

# ZENITH

**DRAWING IS  
NOT TO SCALE**



Kit	Max opening width (Y)
Z12	1200
Z15	1500
Z18	1800

Recommended maximum opening height = 1800mm

